

D

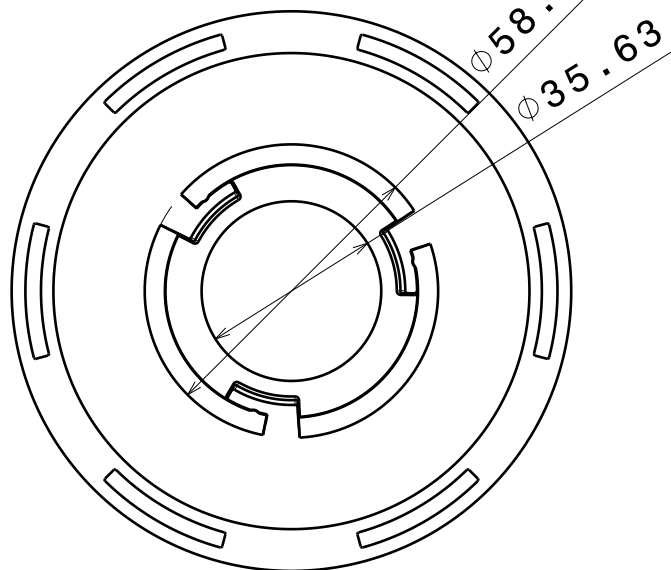
C

B

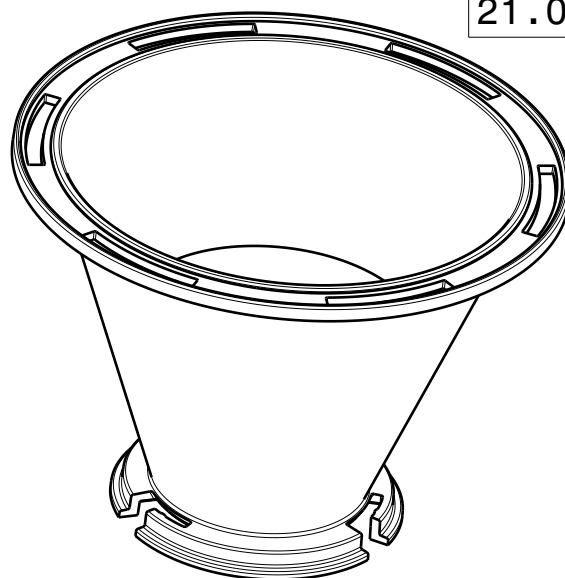
A

DATE

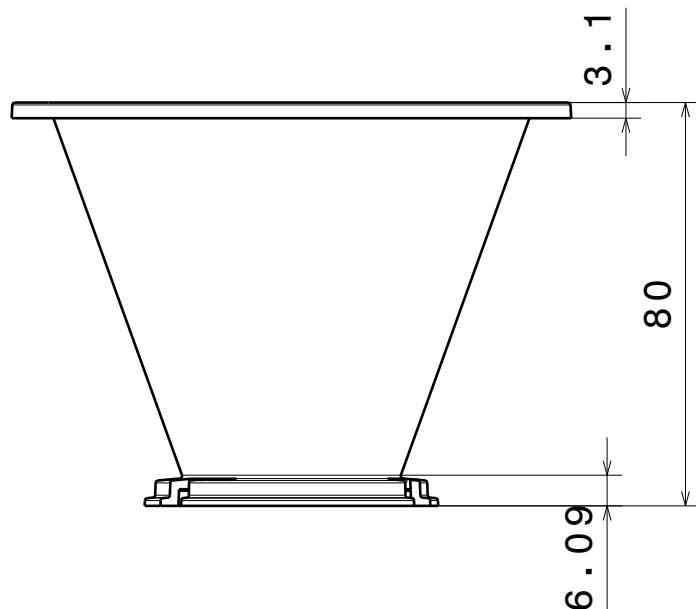
21.02.2019



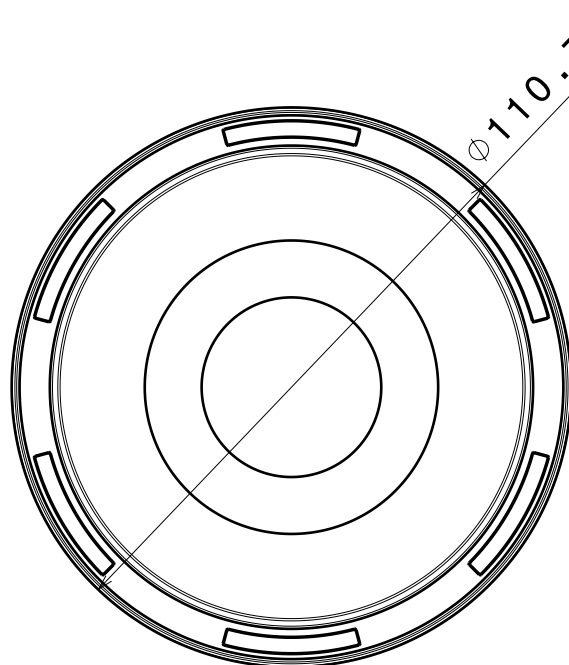
Bottom view



Isometric view



Front view



Top view

PART	TYPE	MATERIAL	COLOR / COATING
C13117_LENA-SS		PC	metal

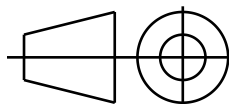
**MECHANICAL DRAWING**

PRODUCT

**LENA****LEDiL**®

Plastic moulding general tolerances according to DIN 16901-130 and applies if not otherwise shown in the drawing. Silicone moulding general tolerances according to ISO 3302-1 Class M3 and applies if not otherwise shown in the drawing.

FIRST ANGLE PROJECTION:



This drawing is the property of LEDiL Oy. It may not be copied or otherwise distributed without prior written permission from LEDiL Oy.

SCALE 2:3

WEIGHT -

A4 SHEET 1/1

D

A